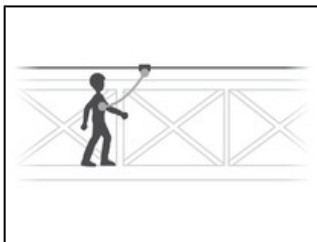


Universe	Professional
Type	Verticality
Category	Lanyards and energy absorbers
Subcategory	Fall arrest lanyards

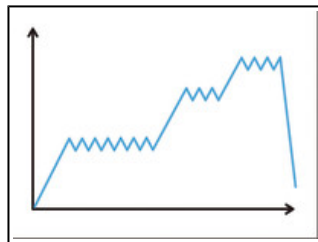


ABSORBICA-I

ABSORBICA-I is a single lanyard with compact energy absorber designed for progression on a horizontal lifeline (rope or cable) or on an elevated platform, without passing intermediate anchors. It has several installation options on the harness and can be used with different types of connectors. It is available in two lengths: 80 or 150 cm (without connectors). The 150 cm version has an elasticized arm, to avoid hindering progression. Depending on the connectors used, ABSORBICA-I is certified to North American, European and Russian standards.



ABSORBICA-I single lanyards are designed particularly for protection on a horizontal lifeline or on an elevated platform, without passing intermediate anchors.



In case of a fall, the tearing of the energy absorber webbing limits the impact force on the user. The lanyards are designed for users who weigh between 50 and 130 kg. The progressive tearing of the webbing reduces the deceleration on lightweight users.



The energy absorber is very compact, to avoid hindering the user's movements, or interfering with handling. A durable fabric pouch helps protect the energy absorber from abrasion and potential contaminants.

Short Description Single lanyard with integrated energy absorber



Selling Points

- Designed for progression on a horizontal lifeline (rope or cable) or on an elevated platform, without passing intermediate anchors
- Absorbs energy in case of a fall:
 - tearing of the energy absorber webbing limits the impact force on the user
 - works with users who weigh between 50 and 130 kg
 - progressive tearing reduces the deceleration on lightweight users
- Minimal bulk:
 - compact energy absorber facilitates handling
 - the 150 cm version has an elasticated arm, to avoid hindering progression
- Durable fabric pouch with opening system at each end, protects the energy absorber from abrasion or contaminants while allowing for regular inspection of the absorber
- Two options for installation on the harness, depending on use:
 - frequent connection/disconnection: with a carabiner held in correct position by the STRING positioning accessory (included with the lanyard)
 - semi-permanent connection: with a RING OPEN gated ring, whose circular shape ensures optimal positioning
- Two connector options for the end of the lanyard: a locking carabiner, or MGO OPEN connector with large gate opening
- Available in two lengths: 80 and 150 cm

Specification

- Material(s): polyester, nylon
 - Certification(s): CE EN 355 when used with EN 362 connectors, ANSI Z359.13 12 feet when used with ANSI Z359.12 connectors, EAC
-

Specifications by reference

Reference(s)	L011AA00	L013AA01
		
Connector	without connector	without connector
Length without connectors	80 cm	150 cm
Length with connectors	90 to 130 cm, depending on the connectors (more information in the Instructions for Use and in the technical tips at www.petzl.com)	160 to 200 cm, depending on the connectors (more information in the Instructions for Use and in the technical tips at www.petzl.com)
Weight	270 g	320 g
Made in	RO	RO
Guarantee	3 years	3 years
Packing	1	1
Case quantity	10	10
EAN	3342540831520	3342540831438

Related product(s)

- NEWTON European version
- NEWTON international version
- NEWTON EASYFIT European version
- NEWTON EASYFIT international version
- VOLT® European version
- VOLT® international version
- OK
- Am'D
- RING OPEN
- MGO OPEN
- Bm'D